

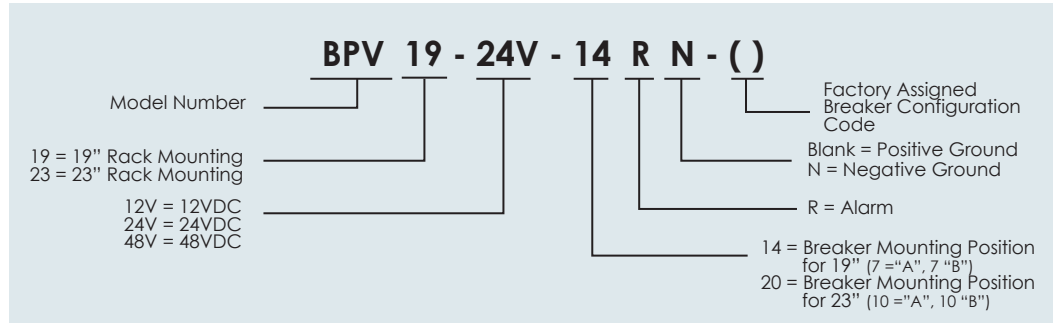
Typical BPV Model Shown

“A” and “B” Feed Single Pole Circuit Breaker Distribution Panel

Circuit Breaker Distribution Panels are designed to provide protection for multiple load/distribution circuits. The circuit breakers’ fast trip response assures the panel breaker will trip before the main circuit breaker/fuse, so that power will not be interrupted from other critical DC loads if an overload occurs. Return Bus is conveniently located on the same panel to facilitate installation.

BPV panels utilize UL recognized breakers with an interrupting capacity of 5,000 amps DC at 65 volts.

Model Number Nomenclature



Breaker Size (Amps)	Breaker Terminals	Position Occupied
1	10 - 32 Stud	One Position
2		
3		
5		
10		
15		
20		
25		
30		
35		
40	1/4 - 20 Stud	Two Position
50		
60		
70		
80	1/4 - 20 Stud	Four Position
90		
100		
125	1/4 - 20 Stud	Four Position
150		

Standard Features

- 12, 24, or 48 volts DC Ratings available
- “A” and “B” Feed
- Positive or Negative ground
- Guard Kit to prevent accidental tripping of breakers
- Blank fillers furnished for all unused breaker positions
- Breaker designation label track
- Alarm LED light and form “C” relay alarm contacts. The relay will be activated if any breaker in the panel trips or is shut off
- Available breaker sizes are 1 - 150 amps single pole
- Finish - ANSI - 61 gray paint

