



laMARCHE®

ISO 9001:2015 CERTIFIED

BP SERIES

BATTERY / LOAD CHARGER DISCONNECT PANEL

The La Marche Disconnect Circuit Breaker Panel is designed to provide a quick and convenient method to disconnect either a battery, a load or a charger from the DC power system.

The Model BP Series Disconnect Panels utilize UL Listed single pole magnetic / hydraulic circuit breakers*, and have termination points for input / output connections to accommodate the cable size required for that particular Model BP Disconnect Circuit Breaker Panel. For long DC cable runs, consult the factory.

*800 Amp Disconnect Panel use thermal magnetic breakers.



Standard Features

12, 24, or 48 Volts DC Ratings Available

DC Current Ratings Available - 50, 100, 125, 200, 250, 300, 400, 500, 600 and 800.

UL Listed Circuit Breakers

Finish - ANSI-61 Gray Paint

100 Amp and Below Circuit Breakers Rated 5,000 Amp DC Interrupting

125 Amp and Above Circuit Breakers Rated 10,000 Amp DC Interrupting

Alarm Contacts Provided for Remote Indication of Circuit Breaker Open or Tripped Conditions

Dimensions (Height)

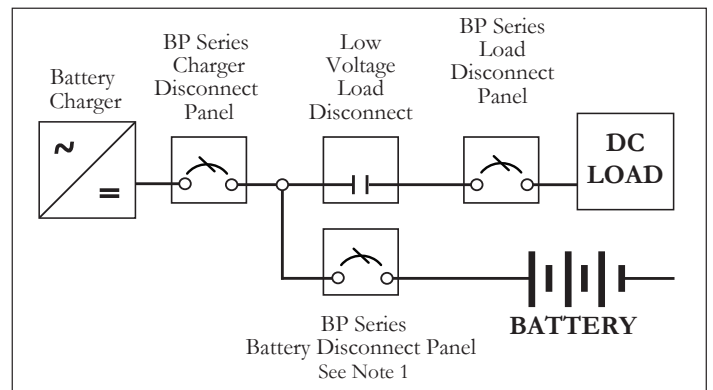
- 50-250 Amps 3.50 Inches (2 RU's)
- 300-400 Amps 5.25 Inches (3 RU's)
- 500-600 Amps 7.00 Inches (4 RU's)
- 800 Amps 8.75 Inches (5 RU's)

Rack Mount 19 or 23 Inch Panels

Optional Accessories

Two Pole Circuit Breaker Disconnect Panels

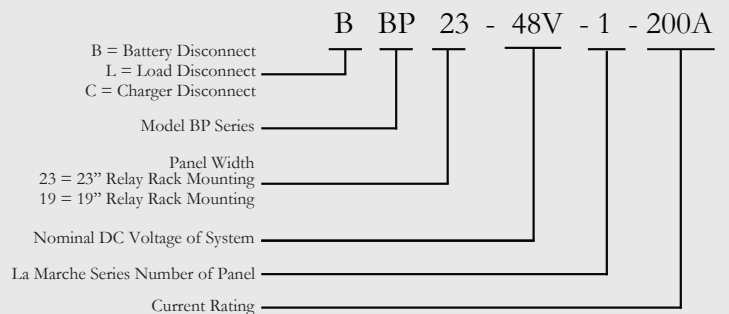
Line Diagram of BP Series Disconnect Circuit Breaker Panels in a Typical DC Power System



NOTE:

1. Disconnect Circuit Breaker Panels used with multiple Battery Chargers/Power Supplies must be rated a minimum of 125% over the total number of Battery Chargers/Power Supplies being used. For example, if two 50 Amp Chargers are part of a single system, the Battery Disconnect must be rated at 125 Amps minimum (i.e., 2 x 50 x 125% = 125 Amps.)

Model Number Nomenclature



Specifications subject to change without notice

P25-DSBP-1
ECN 22665
09/20

La Marche Mfg. (A U.S. Company)

106 Bradrock Drive, Des Plaines, IL 60018

Tel: 847.299.1188 Fax: 847.299.3061

sales@lamarchemfg.com

www.lamarchemfg.com