



## ENHANCED BATTERY INFORMER

U.S. PATENT NO. 6,992,487



Shown: EBI-100-130V-300-92N

The Enhanced Battery Informer is a permanently installed test & monitoring device for the most mission critical single & dual battery string systems. The EBI goes beyond a simple battery monitor as it can identify problems in the **battery**, and monitors the integrity of the **charger** and the **connected critical load**.

### Safe Operation:

- EBI determines the health of the battery with a patented load test that does not disrupt operation of the connected loads.
- The battery and charger are never disconnected from the load, even during the test.
- The intelligent fail-safe control circuitry will not allow testing to take place while the batteries are being used in an emergency situation or if they are recharging from a recent discharge.
- EBI reports in case of a Tester failure, Charging System is inoperative or a suspected Open DC loads connection.
- If suspected sulfation is detected, EBI triggers an automatic equalize cycle on a La Marche charger equipped with a remote equalize feature.

**Battery Monitoring:** Monitors up to 2 parallel battery strings

### MONITORED PARAMETERS

- ✓ Battery Status (Good, Warning Fail)
- ✓ Battery Conductance Value
- ✓ Battery Internal Resistance (Ohmic Value)
- ✓ Battery Voltage
- ✓ Battery Cold Cranking Current (CCA)
- ✓ Battery Temperature (Optional)

### TEST REPORTS

- ✓ Displayed on a 4-line LCD screen
- ✓ Internal data-logger
- ✓ Remotely accessed via optional secure DNP 3.0, MODBUS, or SNMP
- ✓ The battery test-data is internally logged, trended, and compared against a baseline test

The Enhanced Battery Informer is available in several models covering battery strings of 24, 48 and 130 Volts with capacities ranging from 25 to 1000 ampere hours. Contact the factory for other system ratings.

## Standard Features

- Online Battery Test System
- Ohmic/Conductance Trending
- Manual Test Mode
- Programmable Auto Test Interval (Adjustable 1 to 120 day interval) Battery and charger are never disconnected from load
- On Board Data Logging
- Patented BI Test Trending
- Multi String Capable
- Automatic Self-Diagnostic
- 4 Line LCD
- LED's provided for:
 

Good - Batt A	Battery B - Warning
Warning - Battery A	Battery B - Fail
Fail - Battery A	Charger Failure
Tester Fail	Low DC Load Current
Remote Equalize	Summary Failure
Battery B - Good	Test in Process
- Relay Contacts - (2) Sets of Form "C" Contacts each
 

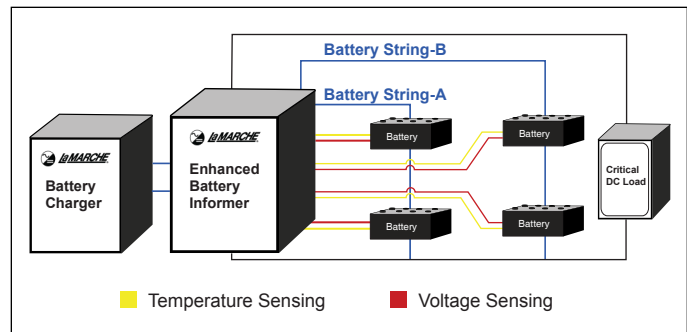
Summary Failure Alarm
Test In Process
Battery Failure
Tester Failure
Charger Failure
Low DC Load Current
Remote Auto Equalize Control

## Optional Accessories

- 068** Audible Alarm with Silence Switch Uses (1) set of Summary contacts
- 21P** DNP3 Communications Protocol
- 21Q** Modbus Communications Protocol
- 19Q** Quadrant System (Refer to Quadrant System guide)\*\*

\*Summary Failure is defined as any of the following Alarms: Open Cell, Possible Battery or Tester Failure.

\*\*La Marche Mfg. Co. does not provide the wires/hardware necessary to connect to the battery at these taps (18 AWG is recommended).



NOTE: Each Battery symbol represents half the Battery String

